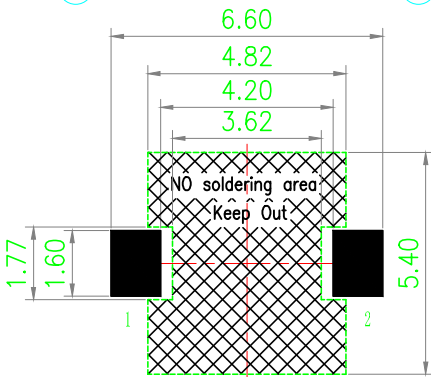
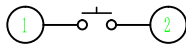


(3D VIEW)



Recommended PAD Layout ± 0.05
 Recommended solder thickness $T=0.10\pm 0.01$



CIRCUIT DIAGRAM



1. RATING: DC 16V, 80mA Max
DC 1V, 10uA Min;
2. OPERATING FORCE: 300 ± 50 gf;
3. TRAVEL: 0.90 ± 0.3 mm;
4. LIFE: 250,000cycles;
5. PACKAGE: 2200Pcs/Reel;
6. WATER/DUST PROOF GRADE: IP67

| | | | | | | | | | | |
|------|-----------|------|-----------------|----------|--|---------------------------------------|---------------------------------|---|-------|------|
| 6 | | | | | 东莞市三荣部品电子有限公司 DONGGUAN SAMYONG PARTS ELECTRONICS CO., LTD. | | | | | |
| 5 | BUTOM | 1 | SILICON RUBBER | RED | TOLERANCES UNLESS OTHERWISE SPECIFIED | CLASS: | | | | |
| 4 | SHELL | 1 | SUS | N/A | | <input type="checkbox"/> CONFIDENTIAL | <input type="checkbox"/> SECRET | <input checked="" type="checkbox"/> GENERAL | | |
| 3 | CONTACT | 2 | SUS | Ag-Plate | WITHIN: $1.5\text{mm}\pm 0.1\text{mm}$ OVER: $1.5\text{mm}\pm 0.2\text{mm}$ | NAME: TACT SWITCH | | | | |
| 2 | TERMINAL | 2 | PHOSPHOR BRONZE | Ag-Plate | APPD: | PART NO. TS-5453 | | | | |
| 1 | HOUSING | 1 | LCP | BLACK | CHKD: FU XIAO FENG | | UNIT | SCALE | SHEET | UNIT |
| ITEM | PART NAME | Q'TY | MATERIAL | FINISH | DR: FENG YONG | | mm | 1:1 | 1/1 | A |